



Micro-DC Series (M12) Receptacles

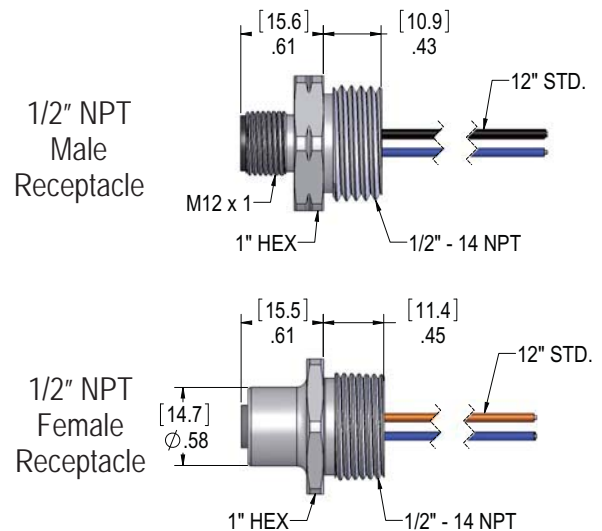
18-24 AWG ❖ 1/2" - 14 NPT Mounting Threads

Face View of Male	# of Poles	Color Code	Wire AWG Rating	Male Receptacles		Female Receptacles	
				Clear Anodized Aluminum	Stainless Steel	Clear Anodized Aluminum	Stainless Steel
	2	1-Not Used 2-Not Used 3-Brown 4-Blue	22 18 300V 4A	MDC-2MR-2 MDC-2MR-2-18	MDC-2MR-2-SS MDC-2MR-2-18-SS	MDC-2FR-2 MDC-2FR-2-18	MDC-2FR-2-SS MDC-2FR-2-18-SS
	3	1-Brown 2-Not Used 3-Blue 4-Black	22 18 300V 4A	MDC-3MR-2 MDC-3MR-2-18	MDC-3MR-2-SS MDC-3MR-2-18-SS	MDC-3FR-2 MDC-3FR-2-18	MDC-3FR-2-SS MDC-3FR-2-18-SS
	4	1-Brown 2-White 3-Blue 4-Black	22 18 300V 4A	MDC-4MR-2 MDC-4MR-2-18	MDC-4MR-2-SS MDC-4MR-2-18-SS	MDC-4FR-2 MDC-4FR-2-18	MDC-4FR-2-SS MDC-4FR-2-18-SS
	5	1-Brown 2-White 3-Blue 4-Black 5-Gray	22 18 300V 4A	MDC-5MR-2 MDC-5MR-2-18	MDC-5MR-2-SS MDC-5MR-2-18-SS	MDC-5FR-2 MDC-5FR-2-18	MDC-5FR-2-SS MDC-5FR-2-18-SS
	6	1-Brown 2-White 3-Blue 4-Black 5-Gray 6-Pink	24 60V 2A	MDC-6MR-2	MDC-6MR-2-SS	MDC-6FR-2	MDC-6FR-2-SS
	8	1-White 2-Brown 3-Green 4-Yellow 5-Gray 6-Pink 7-Blue 8-Red	24 60V 2A	MDC-8MR-2	MDC-8MR-2-SS	MDC-8FR-2	MDC-8FR-2-SS

12" leads are standard. Longer lead lengths are available, please consult the factory for part numbers. 2-5 Pole females will have all 5 contact holes in the receptacle. For lengths of 18" and longer O-Ring and Locking Nut are included.

Specifications:

Shell: Clear Anodized Aluminum or Stainless Steel
 Insulator: Polyamide
 Wire: 18, 22 & 24 AWG; 300V, UL Style 1007/1569
 Contacts: Copper Alloy with Gold Plating
 O-Ring: BUNA-N
 Temperature: -40°C to 105°C (-40°F to +221°F)
 Protection: IP 67
 Approvals: U.S.: UL Recognized
 Canada: C-UL Recognized



Micro-DC Series (M12) Receptacles

18-24 AWG ❖ 1/4"-18 NPT Mounting Threads

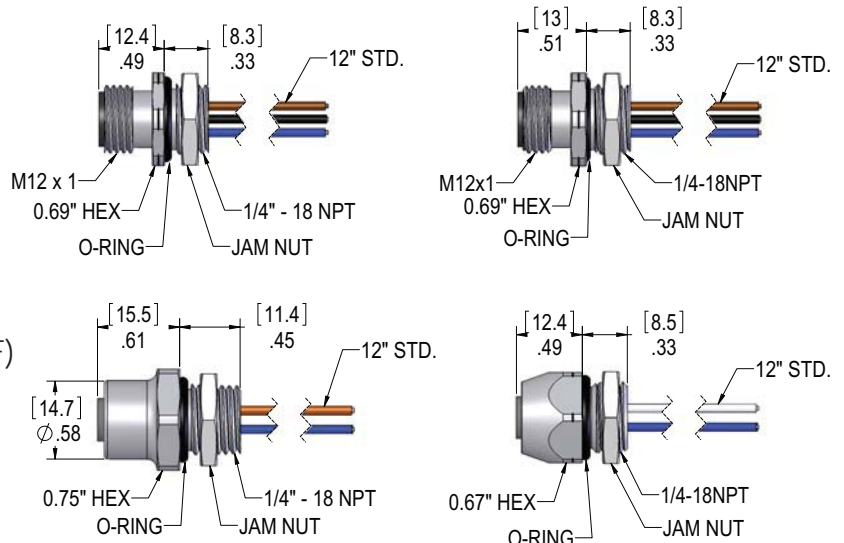


Face View of Male	# of Poles	Color Code	Wire AWG Rating	Male Receptacles		Female Receptacles	
				Nickel Plated Brass	Stainless Steel	Nickel Plated Brass	Stainless Steel
	2	1-Not Used 2-Not Used 3-Brown 4-Blue	22 18 300V 4A	MDC-2MR-4 MDC-2MR-4-18	MDC-2MR-4-SS MDC-2MR-4-18-SS	MDC-2FR-4 MDC-2FR-4-18	MDC-2FR-4-SS MDC-2FR-4-18-SS
	3	1-Brown 2-Not Used 3-Blue 4-Black	22 18 300V 4A	MDC-3MR-4 MDC-3MR-4-18	MDC-3MR-4-SS MDC-3MR-4-18-SS	MDC-3FR-4 MDC-3FR-4-18	MDC-3FR-4-SS MDC-3FR-4-18-SS
	4	1-Brown 2-White 3-Blue 4-Black	22 18 300V 4A	MDC-4MR-4 MDC-4MR-4-18	MDC-4MR-4-SS MDC-4MR-4-18-SS	MDC-4FR-4 MDC-4FR-4-18	MDC-4FR-4-SS MDC-4FR-4-18-SS
	5	1-Brown 2-White 3-Blue 4-Black 5-Gray	22 18 300V 4A	MDC-5MR-4 MDC-5MR-4-18	MDC-5MR-4-SS MDC-5MR-4-18-SS	MDC-5FR-4 MDC-5FR-4-18	MDC-5FR-4-SS MDC-5FR-4-18-SS
	6	1-Brown 2-White 3-Blue 4-Black 5-Gray 6-Pink	24 60V 2A	MDC-6MR-4	MDC-6MR-4-SS	MDC-6FR-4	MDC-6FR-4-SS
	8	1-White 2-Brown 3-Green 4-Yellow 5-Gray 6-Pink 7-Blue 8-Red	24 60V 2A	MDC-8MR-4	MDC-8MR-4-SS	MDC-8FR-4	MDC-8FR-4-SS

12" leads are standard. Longer lead lengths are available, please consult the factory for part numbers.

Specifications:

Shell: Nickel Plated Brass or Stainless Steel
 Insulator: Polyamide
 Wire: 18, 22 & 24 AWG: 300V, UL Style 1007/1569
 Contacts: Copper Alloy with Gold Plating
 Jam Nut: Steel Zinc Plate
 O-Ring: BUNA-N
 Temperature: -40°C to 105°C (-40°F to +221°F)
 Protection: IP 67
 Approvals: U.S.: UL Recognized
 Canada: C-UL Recognized



1/4" NPT Nickel Plated Brass

1/4" NPT Stainless Steel



Micro-DC Series (M12) Receptacles

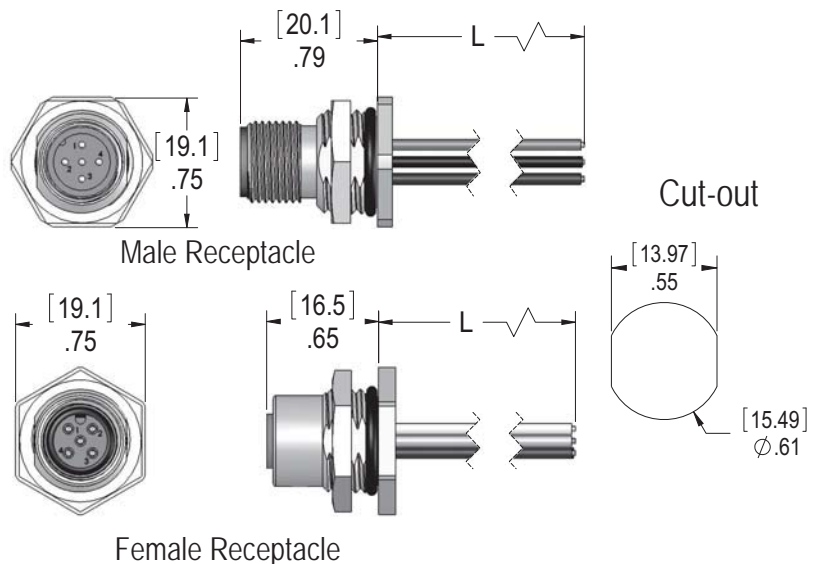
18, 22 & 24 AWG 300V ❖ Back Mounted

Face View of Male	# of Poles	Color Code	Wire AWG Rating	Male Receptacles	Female Receptacles
	2	1-Not Used 2-Not Used 3-Brown 4-Blue	22 18 300V 4A	MDC-2MR-BM MDC-2MR-BM-18	MDC-2FR-BM MDC-2FR-BM-18
	4	1-Brown 2-White 3-Blue 4-Black	22 18 300V 4A	MDC-4MR-BM MDC-4MR-BM-18	MDC-4FR-BM MDC-4FR-BM-18
	5	1-Brown 2-White 3-Blue 4-Black 5-Gray	22 18 300V 4A	MDC-5MR-BM MDC-5MR-BM-18	MDC-5FR-BM MDC-5FR-BM-18
	6	1-Brown 2-White 3-Blue 4-Black 5-Gray 6-Pink	24 60V 2A	MDC-6MR-BM	MDC-6FR-BM
	8	1-White 2-Brown 3-Green 4-Yellow 5-Gray 6-Pink 7-Blue 8-Red	24 60V 2A	MDC-8MR-BM	MDC-8FR-BM

12" leads are standard. Longer lead lengths are available, please consult the factory for part numbers.

Specifications:

Shell: Nickel Plated Brass
 Insulator: Polyamide
 Wire: 18, 22 & 24 AWG: 300V, UL Style 1007/1569
 Contacts: Copper Alloy with Gold Plating
 Jam Nut: Nickel Plated Brass
 O-Ring: BUNA-N
 Temperature: -40°C to 105°C (-40°F to +221°F)
 Protection: IP 67
 Approvals: U.S.: UL Recognized
 Canada: C-UL Recognized



Micro-DC Series (M12) Receptacles

18, 22 & 24 AWG 300V ❖ PG Mounting Threads



Face View of Male	# of Poles	Color Code	Wire AWG Rating	Male Receptacles			Female Receptacles
				PG 7	PG 9	PG 11	PG 9
	2	1-Not Used 2-Not Used 3-Brown 4-Blue	22 18 300V 4A	MDC-2MR-PG7 MDC-2MR-PG7-18	MDC-2MR-PG9 MDC-2MR-PG9-18	MDC-2MR-PG11 MDC-2MR-PG11-18	MDC-2FR-PG9 MDC-2FR-PG9-18
	4	1-Brown 2-White 3-Blue 4-Black	22 18 300V 4A	MDC-4MR-PG7 MDC-4MR-PG7-18	MDC-4MR-PG9 MDC-4MR-PG9-18	MDC-4MR-PG11 MDC-4MR-PG11-18	MDC-4FR-PG9 MDC-4FR-PG9-18
	5	1-Brown 2-White 3-Blue 4-Black 5-Gray	22 18 300V 4A	MDC-5MR-PG7 MDC-5MR-PG7-18	MDC-5MR-PG9 MDC-5MR-PG9-18	MDC-5MR-PG11 MDC-5MR-PG11-18	MDC-5FR-PG9 MDC-5FR-PG9-18
	6	1-Brown 2-White 3-Blue 4-Black 5-Gray 6-Pink	24 60V 2A	MDC-6MR-PG7	MDC-6MR-PG9	MDC-6MR-PG11	MDC-6FR-PG9
	8	1-White 2-Brown 3-Green 4-Yellow 5-Gray 6-Pink 7-Blue 8-Red	24 60V 2A	MDC-8MR-PG7	MDC-8MR-PG9	MDC-8MR-PG11	MDC-8FR-PG9

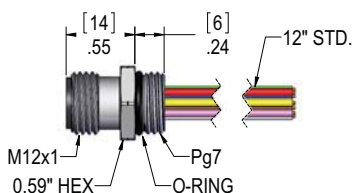
MDC Series (Micro-DC) Receptacles

12" leads are standard. Longer lead lengths are available, please consult the factory for part numbers. Stainless Steel is available, add a "-SS" suffix (e.g. MDC-5MR-PG11 becomes MDC-5MR-PG11-SS).

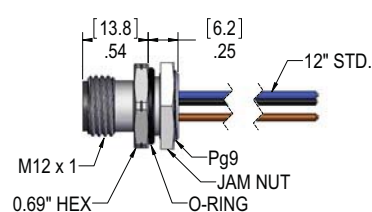
Specifications:

Shell: PG 7 & PG 9: Nickel Plated Brass
 PG 11: Clear Anodized Aluminum
 Insulator: Polyamide
 Wire: 18, 22 & 24 AWG; 300V, UL Style 1007/1569
 Contacts: Copper Alloy with Gold Plating

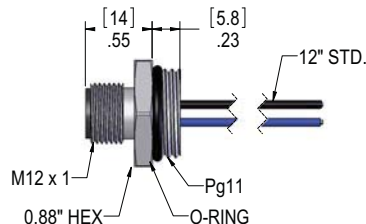
O-Ring: BUNA-N
 Temperature: -40°C to 105°C (-40°F to +221°F)
 Protection: IP 67
 Approvals: U.S.: UL Recognized
 Canada: C-UL Recognized



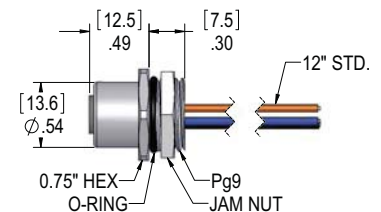
PG 7 Male Receptacle



PG 9 Male Receptacle



PG 11 Male Receptacle



PG 9 Female Receptacle



Micro-DC Series (M12) Receptacles

Male ❖ 18, 22 AWG 300V ❖ Metric Mounting Threads

Face View of Male	# of Poles	Color Code	Wire AWG Rating	Male Receptacles		
				M14 x 1.0 Threads	M16 x 1.5 Threads	M20 x 1.5 Threads
	2	1-Not Used 2-Not Used 3-Brown 4-Blue	22 18 300V 4A	MDC-2MR-M14 MDC-2MR-M14-18	MDC-2MR-M16 MDC-2MR-M16-18	MDC-2MR-M20 MDC-2MR-M20-18
	3	1-Brown 2-Not Used 3-Blue 4-Black	22 18 300V 4A	MDC-3MR-M14 MDC-3MR-M14-18	MDC-3MR-M16 MDC-3MR-M16-18	MDC-3MR-M20 MDC-3MR-M20-18
	4	1-Brown 2-White 3-Blue 4-Black	22 18 300V 4A	MDC-4MR-M14 MDC-4MR-M14-18	MDC-4MR-M16 MDC-4MR-M16-18	MDC-4MR-M20 MDC-4MR-M20-18
	5	1-Brown 2-White 3-Blue 4-Black 5-Gray	22 18 300V 4A	MDC-5MR-M14 MDC-5MR-M14-18	MDC-5MR-M16 MDC-5MR-M16-18	MDC-5MR-M20 MDC-5MR-M20-18
	6	1-Brown 2-White 3-Blue 4-Black 5-Gray 6-Pink	24 60V 2A	MDC-6MR-M14	MDC-6MR-M16	MDC-6MR-M20
	8	1-White 2-Brown 3-Green 4-Yellow 5-Gray 6-Pink 7-Blue 8-Red	24 60V 2A	MDC-8MR-M14	MDC-8MR-M16	MDC-8MR-M20

Specifications:

Shell: M14 x 1.0: Nickel Plated Brass
M16 x 1.5: Nickel Plated Brass
M20 x 1.5: Clear Anodized Aluminum

Insulator: Polyamide

Wire: 18, 22 & 24 AWG; 300V,
UL Style 1007/1569

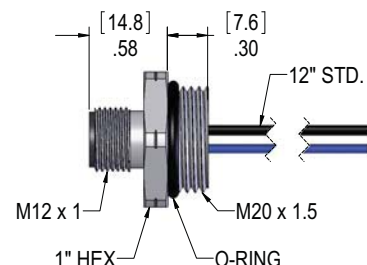
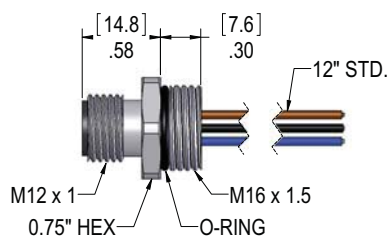
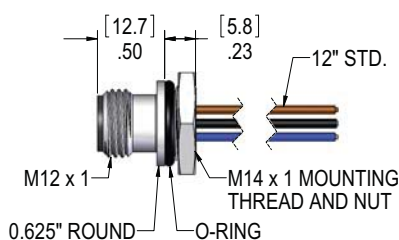
Contacts: Copper Alloy with Gold Plating

O-Ring: BUNA-N

Temperature: -40°C to 105°C (-40°F to +221°F)

Protection: IP 67

Approvals: U.S.: UL Recognized
Canada: C-UL Recognized



Micro-DC (M12) Series Receptacles

Female ❖ 18, 22 AWG 300V ❖ Metric Mounting Threads



Face View of Female	# of Poles	Color Code	Wire AWG Rating	Female Receptacles	
				M16 x 1.5 Threads	M20 x 1.5 Threads
	2	1-Not Used 2-Not Used 3-Brown 4-Blue	22 18 300V 4A	MDC-2FR-M16 MDC-2FR-M16-18	MDC-2FR-M20 MDC-2FR-M20-18
	3	1-Brown 2-Not Used 3-Blue 4-Black	22 18 300V 4A	MDC-3FR-M16 MDC-3FR-M16-18	MDC-3FR-M20 MDC-3FR-M20-18
	4	1-Brown 2-White 3-Blue 4-Black	22 18 300V 4A	MDC-4FR-M16 MDC-4FR-M16-18	MDC-4FR-M20 MDC-4FR-M20-18
	5	1-Brown 2-White 3-Blue 4-Black 5-Gray	22 18 300V 4A	MDC-5FR-M16 MDC-5FR-M16-18	MDC-5FR-M20 MDC-5FR-M20-18
	6	1-Brown 2-White 3-Blue 4-Black 5-Gray 6-Pink	24 60V 2A	MDC-6FR-M16	MDC-6FR-M20
	8	1-White 2-Brown 3-Green 4-Yellow 5-Gray 6-Pink 7-Blue 8-Red	24 60V 2A	MDC-8FR-M16	MDC-8FR-M20

Longer lead lengths are available, please consult the factory for part numbers.

Specifications:

Shell: M16 x 1.5: Nickel Plated Brass
M20 x 1.5: Clear Anodized Aluminum

Insulator: Polyamide

Wire: 18, 22 & 24 AWG: 300V
UL Style 1007/1569

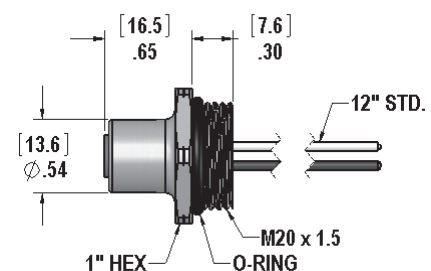
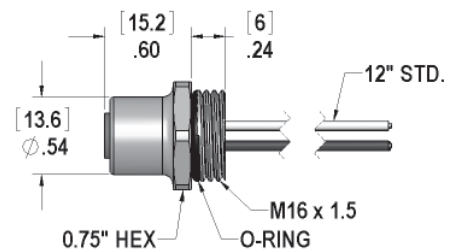
Contacts: Copper Alloy with Gold Plating

O-Ring: BUNA-N

Temperature: -40°C to 105°C (-40°F to +221°F)

Protection: IP 67

Approvals: U.S.: UL Recognized
Canada: C-UL Recognized



MDC Series (Micro-DC) Receptacles



Micro-DC Series (M12) Receptacles

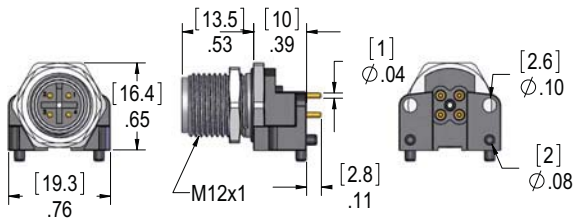
PCB Mounted ❖ Male

Face View of Male	# of Poles	Rating	Style	Male Receptacles	
				Straight	Right Angle
	4	300V 4A	PCB Mount PCB Mount w/ Ground Tab	MDC-4MR-PCB MDCM-4MR-PCB	MDC-4MR-PCB-R MDCM-4MR-PCB-R
	5	150V 4A	PCB Mount PCB Mount w/ Ground Tab	MDC-5MR-PCB MDCM-5MR-PCB	MDC-5MR-PCB-R MDCM-5MR-PCB-R

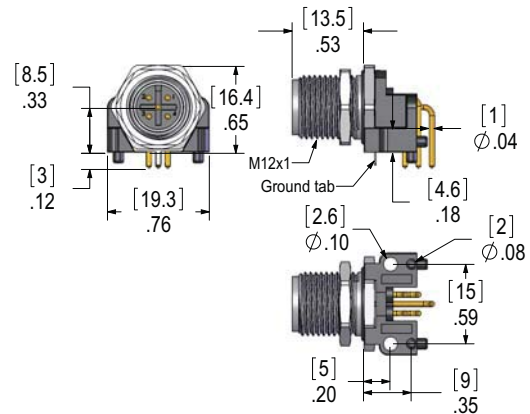
Specifications:

Body: Polyamide
 Contacts: Copper Alloy with Gold Plating
 Shell: Nickel Plated Brass
 O-Ring: BUNA-N
 Approvals: U.S.: UL Recognized; Canada: C-UL Recognized
 *MDCM versions are pending approval

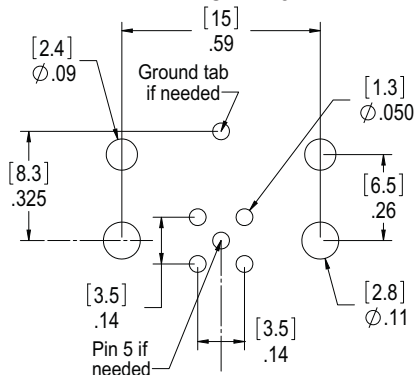
Male Straight



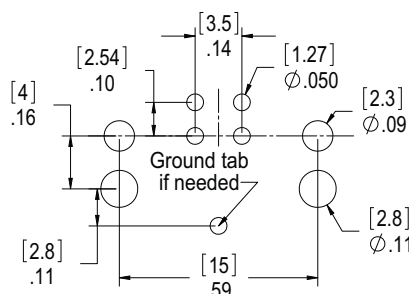
Male Right Angle



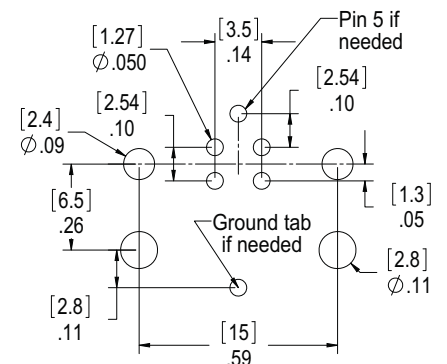
5 Pole Male Straight Layout



4 Pole Male Right Angle



Male Right Angle Layout



Micro-DC Series (M12) Receptacles

PCB Mount ❖ Female

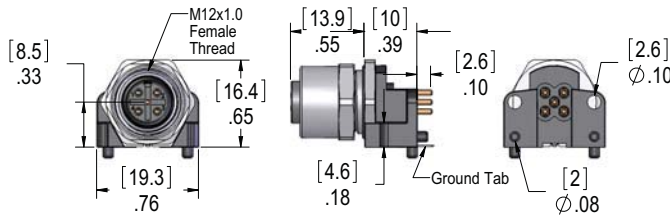


Face View of Female	# of Poles	Rating	Style	Female Receptacles	
				Straight	Right Angle
	4	300V 4A	PCB Mount PCB Mount w/ Ground Tab	MDC-4FR-PCB MDCM-4FR-PCB	MDC-4FR-PCB-R MDCM-4FR-PCB-R
	5	150V 4A	PCB Mount PCB Mount w/ Ground Tab	MDC-5FR-PCB MDCM-5FR-PCB	MDC-5FR-PCB-R MDCM-5FR-PCB-R

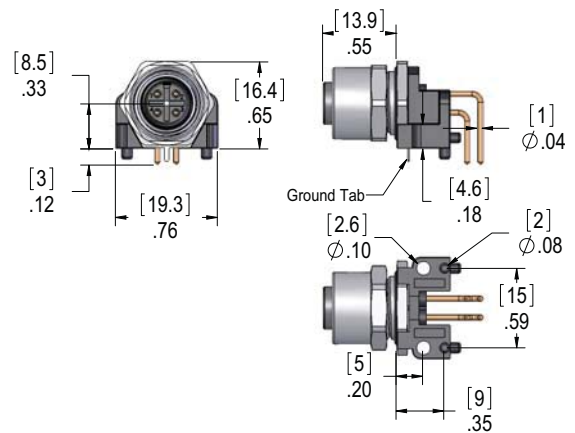
Specifications:

Body: Polyamide
 Contacts: Copper Alloy with Gold Plating
 Shell: Nickel Plated Brass
 O-Ring: BUNA-N
 Approvals: U.S.: UL Recognized; Canada: C-UL Recognized
 *MDCM versions are pending approval

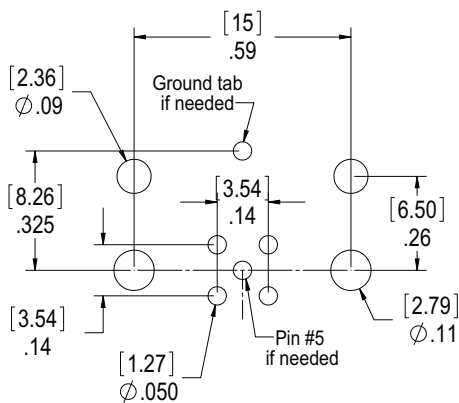
Female Straight



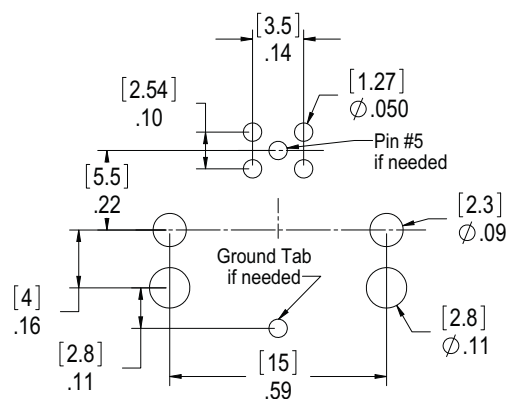
Female Right Angle



Female Straight Layout



Female Right Angle Layout



MDC Series (Micro-DC) Receptacles

Micro-DC Series (M12) Receptacles

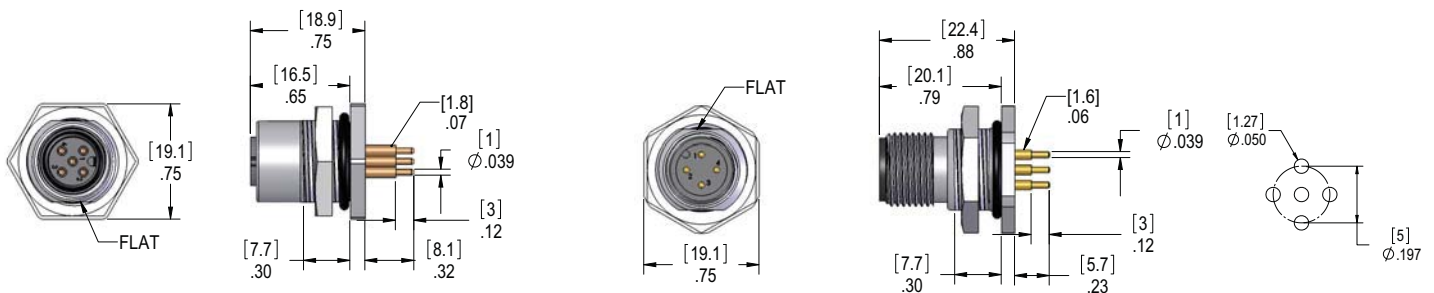
Back Mount PCB ❖ 300V

Face View of Male	# of Poles	Rating	Male Receptacles	Female Receptacles	Face View of Female
	2	300V 4A	MDC-2MR-BM-PCB	MDC-2FR-BM-PCB	
	4	300V 4A	MDC-4MR-BM-PCB	MDC-4FR-BM-PCB	
	5	300V 4A	MDC-5MR-BM-PCB	MDC-5FR-BM-PCB	
	8	300V 4A	Consult the Factory	MDC-8FR-BM-PCB	

Specifications:

Shell: Nickel Plated Brass
 Insulator: Polyamide
 Contacts: Copper Alloy with Gold Plating

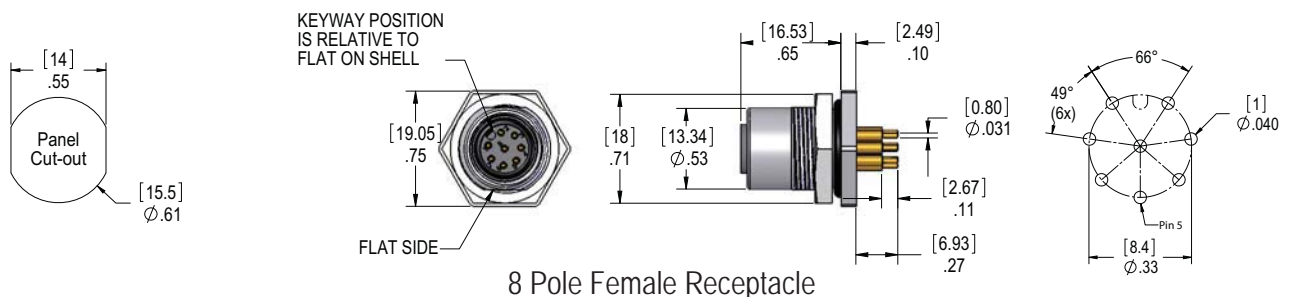
Jam Nut: Nickel Plated Brass
 O-Ring: BUNA-N
 Temperature: -40°C to 105°C (-40°F to +221°F)
 Protection: IP 67



Female Receptacle

Male Receptacle

PCB Layout

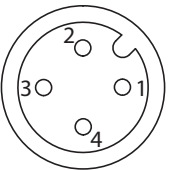
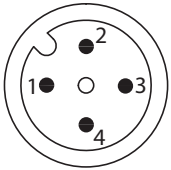
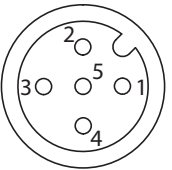
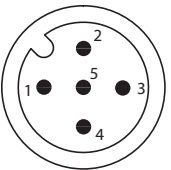


8 Pole Female Receptacle

Micro-DC Series (M12) Receptacles

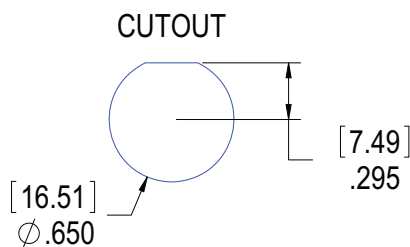
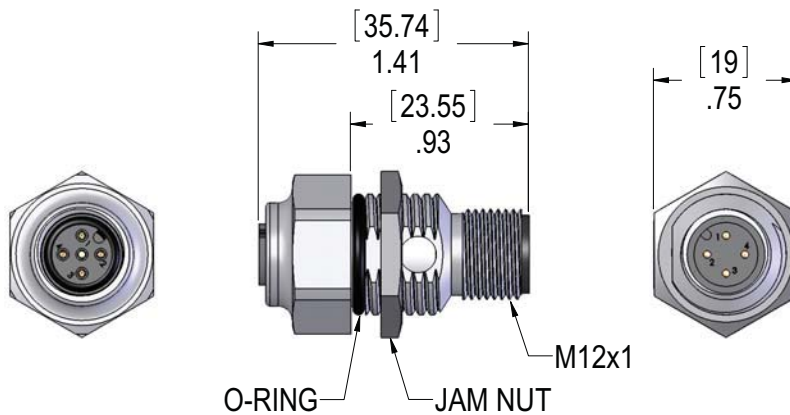
Male to Female ❖ Through Cabinet Coupling



Face View of Male	# of Poles	Rating	Wiring	Part Number	Face View of Female
	4	300V 4A	1 to 1 2 to 2 3 to 3 4 to 4	MDC-4MFR-TM	
	5	300V 4A	1 to 1 2 to 2 3 to 3 4 to 4 5 to 5	MDC-5MFR-TM	

Specifications:

Shell: Clear Anodized Aluminum
 Insulator: Nylon
 Contacts: Copper Alloy with Gold Plating
 O-Rings: NBR
 Temperature: -40°C to 105°C (-40°F to +221°F)
 Protection: IP 67

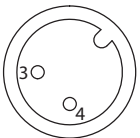
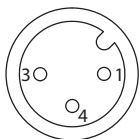
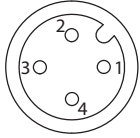
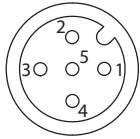
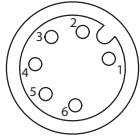
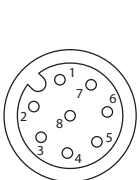


MDC Series (Micro-DC) Receptacles



Micro-DC Series (M12) Receptacles

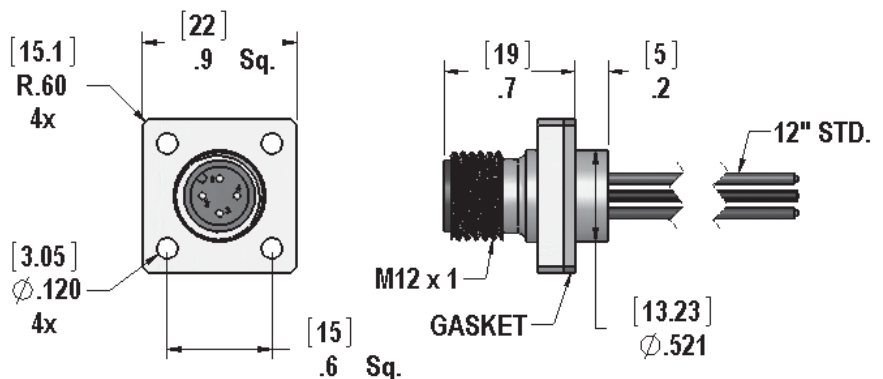
Male ❖ Panel Mounted

Face View of Female	# of Poles	Color Code	Wire AWG Rating	Male Receptacle
	2	1-Not Used 2-Not Used 3-Brown 4-Blue	22 18 300V 4A	MDC-2MR-PM MDC-2MR-PM-18
	3	1-Brown 2-Not Used 3-Blue 4-Black	22 18 300V 4A	MDC-3MR-PM MDC-3MR-PM-18
	4	1-Brown 2-White 3-Blue 4-Black	22 18 300V 4A	MDC-4MR-PM MDC-4MR-PM-18
	5	1-Brown 2-White 3-Blue 4-Black 5-Gray	22 18 300V 4A	MDC-5MR-PM MDC-5MR-PM-18
	6	1-Brown 2-White 3-Blue 4-Black 5-Gray 6-Pink	24 60V 2A	MDC-6MR-PM
	8	1-White 2-Brown 3-Green 4-Yellow 5-Gray 6-Pink 7-Blue 8-Red	24 60V 2A	MDC-8MR-PM

MDC Series (Micro-DC) Receptacles

Specifications:

Shell: Nickel Plated Brass
 Insulator: Nylon
 Wire: 18, 22 & 24 AWG; 300V, UL Style 1007/1569
 Contacts: Copper Alloy with Gold Plating
 Gasket: NBR
 Temperature: -40°C to 105°C (-40°F to +221°F)
 Protection: IP 67
 Approvals: U.S.: UL Recognized
 Canada: C-UL Recognized



Micro-DC Series (M12) Receptacles

Solder Cup 1/2"-14 NPT & Metric Mounting Threads



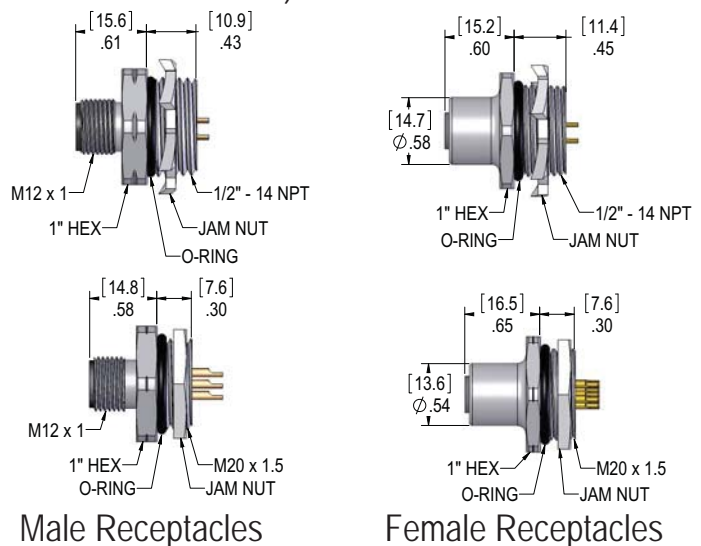
Face View of Male	# of Poles	Wire AWG Rating	Male Receptacles	Female Receptacles	Male Receptacles	Female Receptacles
			1/2" - 14 NPT Threads	1/2" - 14 NPT Threads	M20 x 1.5 Threads	M20 x 1.5 Threads
	2	18 AWG MAX 300V 4A MAX	MDC-2MR-2-SC	MDC-2FR-2-SC	MDC-2MR-M20-SC	MDC-2FR-M20-SC
	3	18 AWG MAX 300V 4A MAX	MDC-3MR-2-SC	MDC-3FR-2-SC	MDC-3MR-M20-SC	MDC-3FR-M20-SC
	4	18 AWG MAX 300V 4A MAX	MDC-4MR-2-SC	MDC-4FR-2-SC	MDC-4MR-M20-SC	MDC-4FR-M20-SC
	5	18 AWG MAX 300V 4A MAX	MDC-5MR-2-SC	MDC-5FR-2-SC	MDC-5MR-M20-SC	MDC-5FR-M20-SC
	6	24 AWG MAX 60V 2A MAX	MDC-6MR-2-SC	MDC-6FR-2-SC	MDC-6MR-M20-SC	MDC-6FR-M20-SC
	8	18 AWG MAX 60V 2A MAX	MDC-8MR-2-SC	MDC-8FR-2-SC	MDC-8MR-M20-SC	MDC-8FR-M20-SC

MDC Series (Micro-DC) Receptacles

Other mounting threads are available, please consult the factory. Stainless Steel is available for the 1/2" NPT version, add a "-SS" suffix (e.g. MDC-8MR-2-SC becomes MDC-8MR-2-SC-SS).

Specifications:

- Shell: Clear Anodized Aluminum
- Insulator: Polyamide
- Contacts: Copper Alloy with Gold Plating
- Jam Nut: Steel Zinc Plate
- O-Ring: BUNA-N
- Temperature: -40°C to 105°C (-40°F to +221°F)
- Protection: IP 67





Micro DC Series (M12) Accessories

Accessories

Jam Nuts: NPT, PG & Metric Threads					
Part #	Thread	Figure	A	Thickness	Material
214M	1/4" NPT	1	17.3 mm	3.3. mm	Steel Zinc Plate
212M	1/2" NPT	2	28.5 mm	3.3 mm	Steel Zinc Plate
209M	PG 9	1	18 mm	3.0 mm	Brass Nickel Plate
213M	PG 13.5	1	21 mm	3.0 mm	Brass Nickel Plate
2M16M	M16 x 1.5	1	19 mm	2.8 mm	Brass Nickel Plate
2M20M	M20 x 1.5	1	24 mm	3.0 mm	Brass Nickel Plate

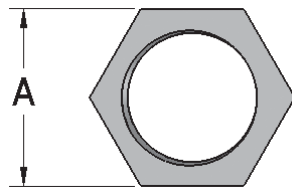


Figure 1

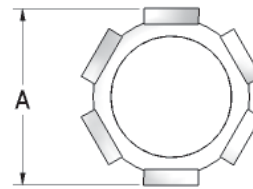


Figure 2