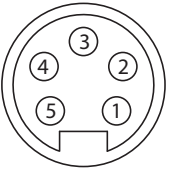
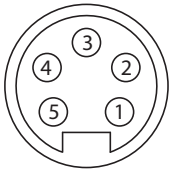
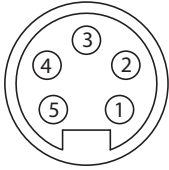




# DeviceNet Series MIN Receptacles

Trunk Cable ❖ Drop Cable ❖ Male & Female

Face View of Male	# of Poles	Color Code	Wire AWG	Rating	Length	Male Straight	Female Straight	Figure
<b>MIN Series Receptacles</b>								
	<b>5</b>	1-Gray (Drain) 2-Red (V+) 3-Black (V-) 4-White (CAN_H) 5-Blue (CAN_L)	16 18 22	300V / 8A 300V / 8A 300V / 4A	1 FT	MIN-5MR-1-DN MIN-5MR-1-18-DN MIN-5MR-1-22-DN	MIN-5FR-1-DN MIN-5FR-1-18-DN MIN-5FR-1-22-DN	Figure A
<b>Trunk Cable - (Thick Cable)</b>								
	<b>5</b>	1-Bare (Drain) 2-Red (V+) 3-Black (V-) 4-White (CAN_H) 5-Blue (CAN_L)	15 & 18	300V 8A	1 M 2 M 3 M 6 M	MINDT-5MR-1M MINDT-5MR-2M MINDT-5MR-3M MINDT-5MR-6M	MINDT-5FR-1M MINDT-5FR-2M MINDT-5FR-3M MINDT-5FR-6M	Figure B
<b>Drop Cable - (Thin Cable)</b>								
	<b>5</b>	1-Bare (Drain) 2-Red (V+) 3-Black (V-) 4-White (CAN_H) 5-Blue (CAN_L)	22 & 24	300V 4A	1 M 2 M 3 M 6 M	MINDD-5MR-1M MINDD-5MR-2M MINDD-5MR-3M MINDD-5MR-6M	MINDD-5FR-1M MINDD-5FR-2M MINDD-5FR-3M MINDD-5FR-6M	Figure B

Metric and PG threads are available, please consult the factory.

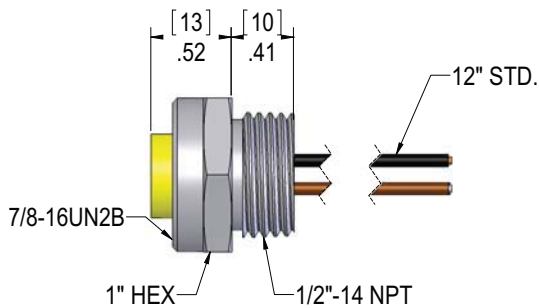


Figure A

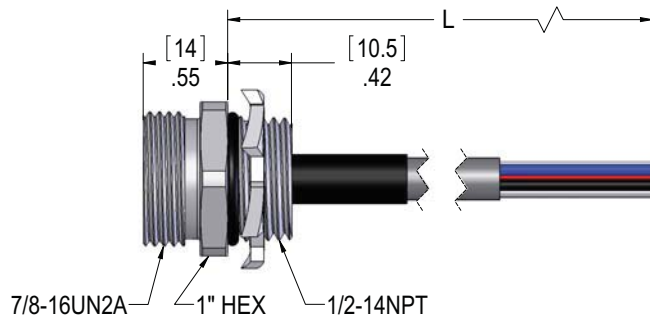


Figure B

## Specifications:

Shell:	Clear Anodized Aluminum
Insulator:	105°C, Oil Resistant Yellow PVC
Wire:	16 AWG: UL Style 1015, 600V 18 & 22 AWG: UL Style 1007/1569, 300V
Cable:	DeviceNet Drop or DeviceNet Trunk
Contacts:	Copper Alloy with Gold Plating
O-Ring:	BUNA-N
Temperature:	-40°C to 90°C (-40°F to +194°F)
Protection:	IP 67
Approvals:	U.S.: UL Recognized Canada: C-UL Recognized

# DeviceNet Series MDC Receptacles

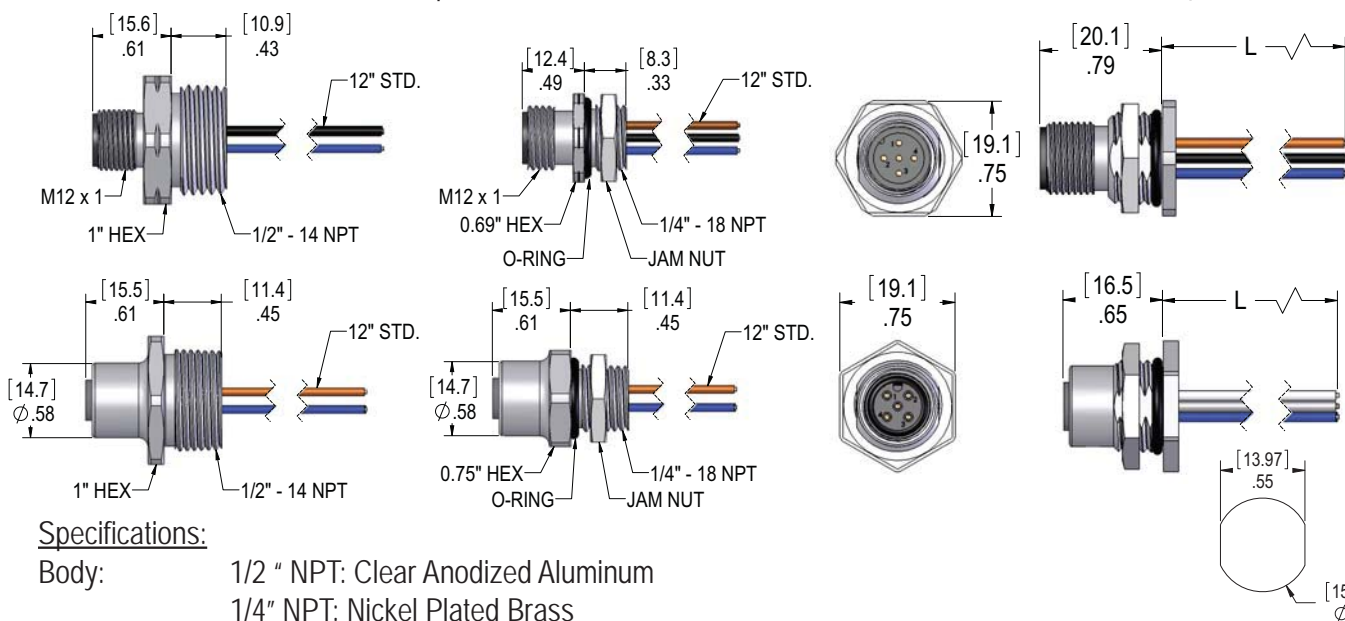
Male & Female Receptacles with Leads



Face View of Male	# of Poles	Color Code	Wire AWG Rating	Thread	Male Straight	Female Straight
<b>Standard Receptacles</b>						
	5	1-Gray (Drain) 2-Red (V+) 3-Black (V-) 4-White (CAN_H) 5-Blue (CAN_L)	18	1/2" NPT	MDC-5MR-2-18-DN	MDC-5FR-2-18-DN
		300V 8A	1/4" NPT	MDC-5MR-4-18-DN	MDC-5FR-4-18-DN	
	5	1-Gray (Drain) 2-Red (V+) 3-Black (V-) 4-White (CAN_H) 5-Blue (CAN_L)	22	1/2" NPT	MDC-5MR-2-22-DN	MDC-5FR-2-22-DN
		300V 4A	1/4" NPT	MDC-5MR-4-22-DN	MDC-5FR-4-22-DN	
<b>Back Mount Receptacles</b>						
	5	1-Gray (Drain) 2-Red (V+) 3-Black (V-) 4-White (CAN_H) 5-Blue (CAN_L)	18	N/A	MDC-5MR-BM-18-DN	MDC-5FR-BM-18-DN
		300V 8A				
	5	1-Gray (Drain) 2-Red (V+) 3-Black (V-) 4-White (CAN_H) 5-Blue (CAN_L)	22	N/A	MDC-5MR-BM-22-DN	MDC-5FR-BM-22-DN
		300V 4A				

Standard Receptacles

Back Mount Receptacles



**Specifications:**

Body: 1/2" NPT: Clear Anodized Aluminum  
1/4" NPT: Nickel Plated Brass

Insulator: Polyamide

Wire: 18 & 22 AWG 300V, UL Style 1007/1569

Contacts: Copper Alloy with Gold Plating

Jam Nut: 1/4" NPT: Steel Zinc Plate

Back Mount: Nickel Plated Brass

O-Ring: BUNA-N

Temperature: -40°C to + 105°C (-40°F to +221°F)

Protection: IP 67

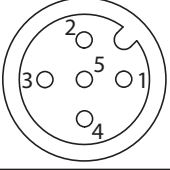
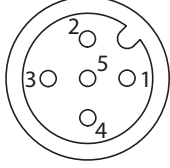
Approvals: U.S.: UL Recognized

Canada: C-UL Recognized

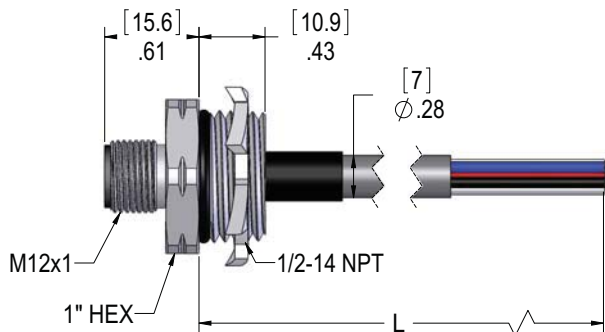


# DeviceNet Series MDC Receptacles

Male & Female Receptacles with Drop Cable

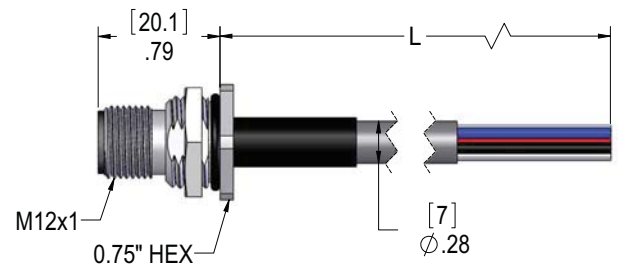
Standard Receptacles with Drop Cable - 1/2" NPT						
Face View of Male	# of Poles	Color Code	Wire AWG Rating	Length	Male Receptacle	Female Receptacle
	5	1-Bare (Drain) 2-Red (V+) 3-Black (V-) 4-White (CAN_H) 5-Blue (CAN_L)	22 & 24  300V 4A	1 M 2 M	MDCDD-5MR-2-1M MDCDD-5MR-2-2M	MDCDD-5FR-2-1M MDCDD-5FR-2-2M
Back Mount Receptacles with Drop Cable						
Face View of Male	# of Poles	Color Code	Wire AWG Rating	Length	Male Receptacle	Female Receptacle
	5	1-Bare (Drain) 2-Red (V+) 3-Black (V-) 4-White (CAN_H) 5-Blue (CAN_L)	22 & 24  300V 4A	1 M 2 M	MDCDD-5MR-BM-1M MDCDD-5MR-BM-2M	MDCDD-5FR-BM-1M MDCDD-5FR-BM-2M

Standard Receptacles with Drop Cables

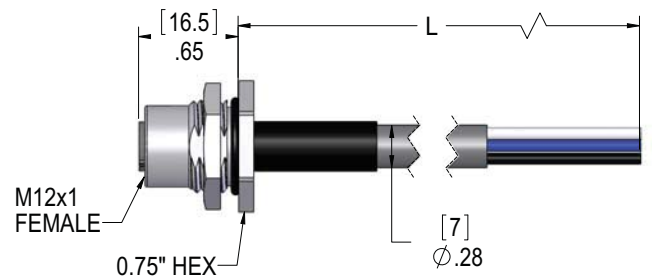
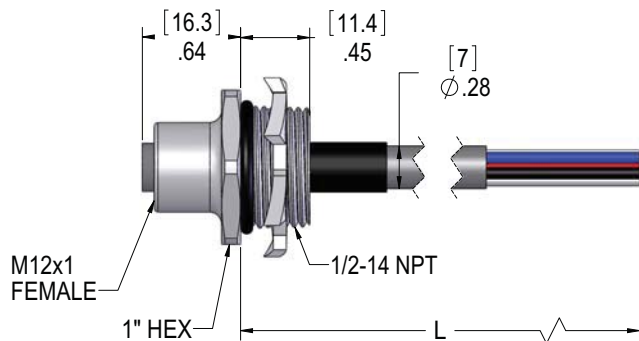


Male Receptacles

Back Mount Receptacles with Drop Cables

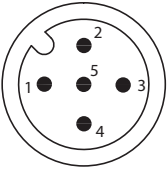
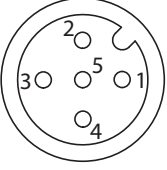


Female Receptacles

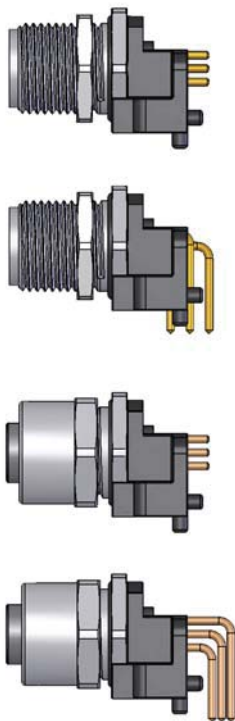


# DeviceNet Series MDC Receptacles

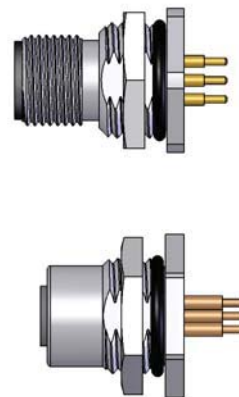
Male & Female Receptacles PCB Mount

PCB Mount						
Face View of Female	# of Poles	Rating	Male Straight Receptacle	Male Right Angle Receptacle	Female Straight Receptacles	Female Right Angle Receptacle
	5	150V 4A	MDC-5MR-PCB	MDC-5MR-PCB--R	MDC-5FR-PCB	MDC-5FR-PCB-R
Back Mount PCB						
Face View of Male	# of Poles	Rating	Male Receptacle	Female Receptacle		
	5	150V 4A	MDC-5MR-BM-PCB	MDC-5FR-BM-PCB		

For dimensions, please reference pages I-8, I-9 and I-10.



PCB Receptacles



Back Mount PCB Receptacles